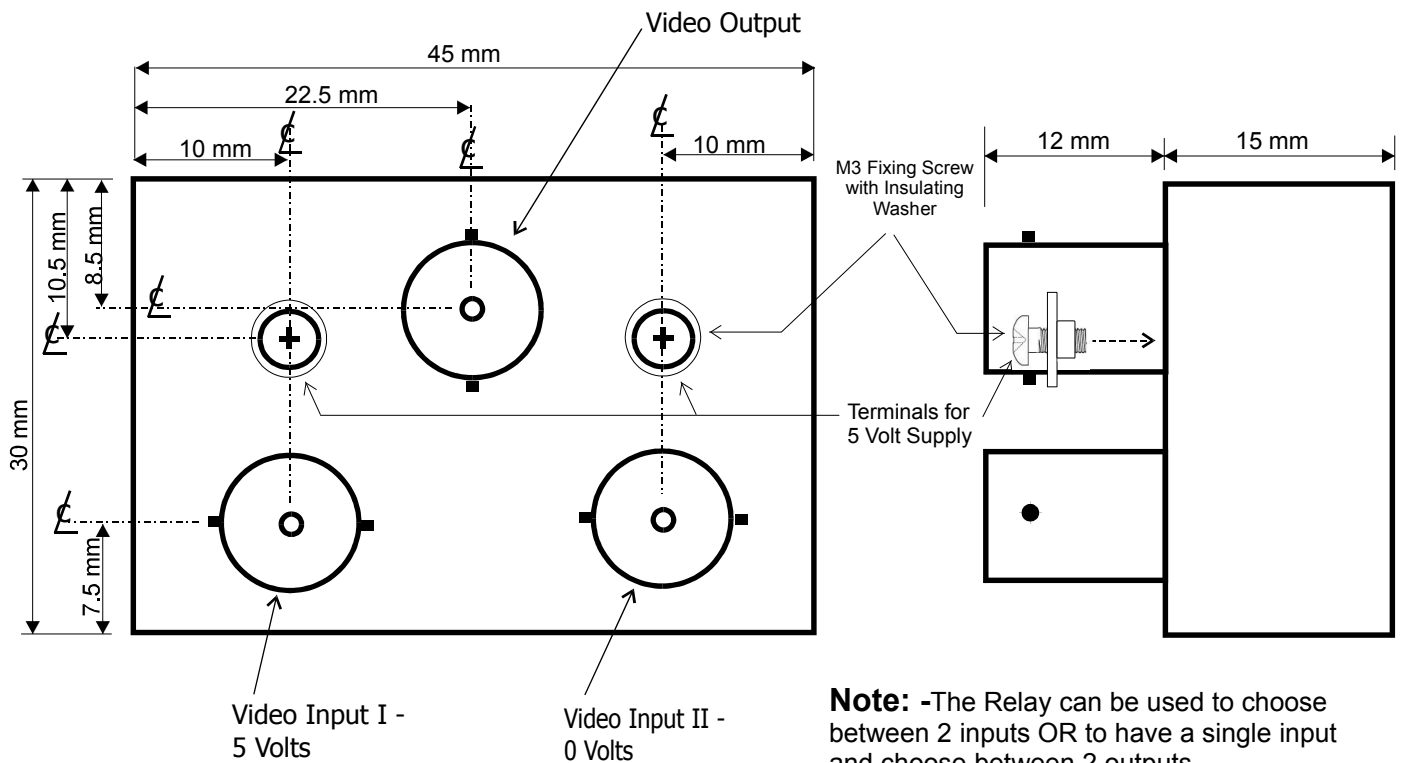
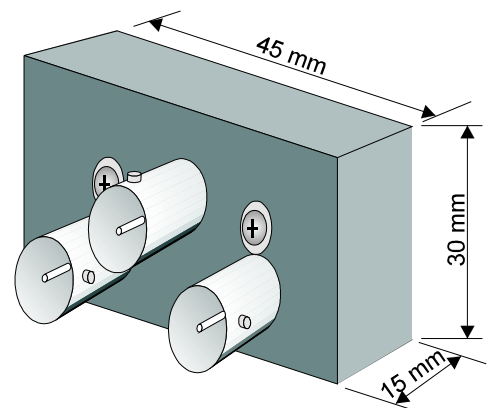


## 3G-SDI Relay - Drawing

Part No **LEN 3GR01**



**Note:** -The Relay can be used to choose between 2 inputs OR to have a single input and choose between 2 outputs.